

8 7 6 5 4 3 2 1

D

D

C

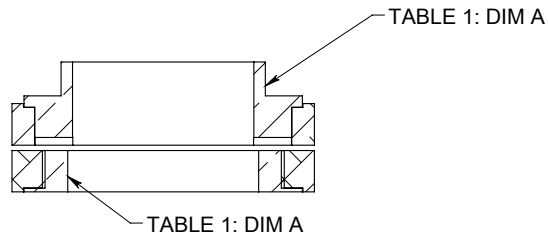
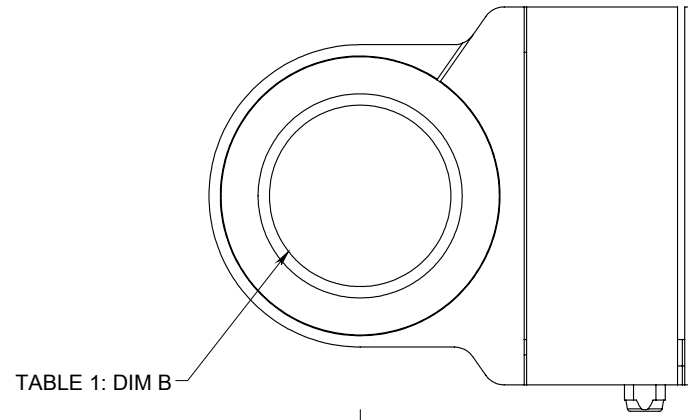
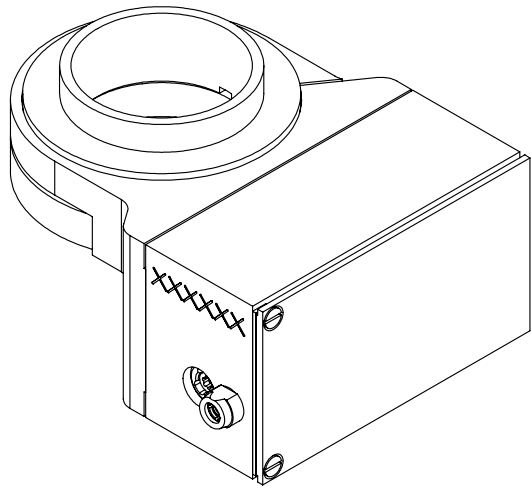
C

B

B

A

A



SECTION A-A

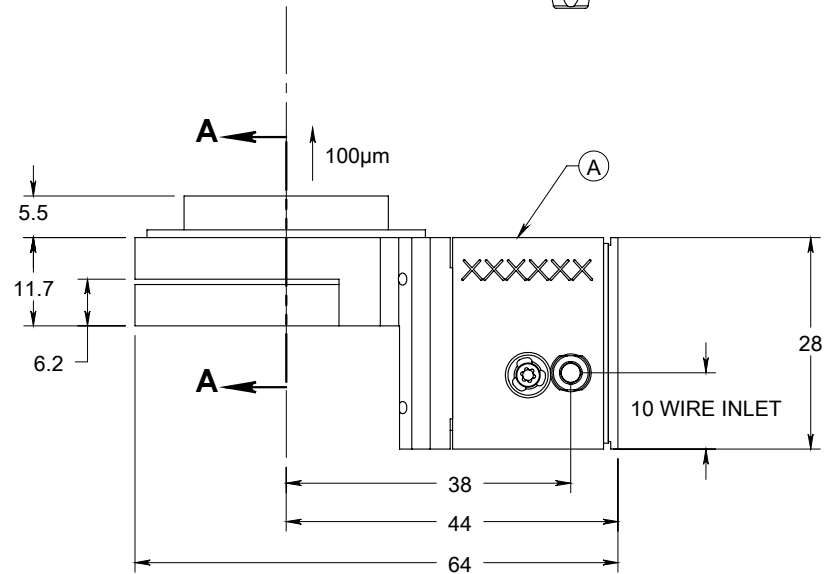


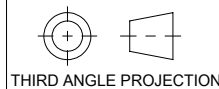
TABLE 1

SIZE	THREAD SIZE (DIM A)	DIAMETER (DIM B)
OBJ - 1	M19x0.75	14.0
OBJ - 2	M25x0.75	22.0
OBJ - 3	M26x0.75	23.0
OBJ - 4	M27x0.75	24.0
OBJ - 5	M28x0.75	25.0
OBJ - 6	M32x0.75	29.0
OBJ - 7	M26x1/36"	22.0
OBJ - 8	W0.8x1/36"	14.0
OBJ - 9	W26x 1/36"	22.0

NOTE X

1. SURFACE MOVES DURING OPERATION. PLEASE ALLOW FOR A MINIMUM CLEARANCE OF 400µm BETWEEN SURFACE AND ANY ADJACENT SURFACE.
2. DO NOT CLAMP THE STAGE BODY.

UNLESS OTHERWISE NOTED, ALL UNITS ARE IN MILLIMETERS



THIRD ANGLE PROJECTION

nPoint, Inc.
3030 Laura Ln. Ste.100
Middleton, WI 53562
Phone: (608) 824-1770
Fax: (608) 824-1774
www.npoint.com

DESCRIPTION
nPFocus100 C/SG
1-AXIS SCANNER
100um Z TRAVEL

NUMBER 3715 210/297	REV. NR	SHEET 1 OF 1
------------------------	------------	--------------

8 7 6 5 4 3 2 1