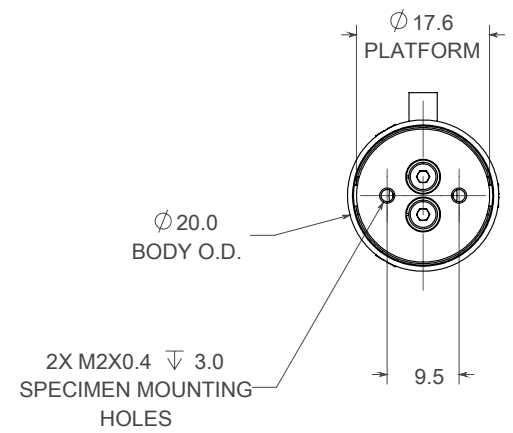
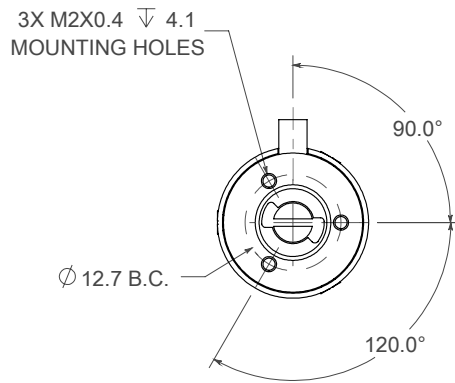


8 7 6 5 4 3 2 1

D
C
B
A

D
C
B
A



UNLESS OTHERWISE NOTED, ALL UNITS ARE IN MILLIMETERS



THIRD ANGLE PROJECTION



1617 Sherman Ave.
Madison, WI 53704

Phone: (608) 310-8770
Fax: (608) 310-8774
www.npoint.com

DESCRIPTION
NPZ70A
SINGLE VERTICAL AXIS
70um SCANNER

NUMBER
3715207-01

REV.
A

SHEET 1 OF 1

8 7 6 5 4 3 2 1