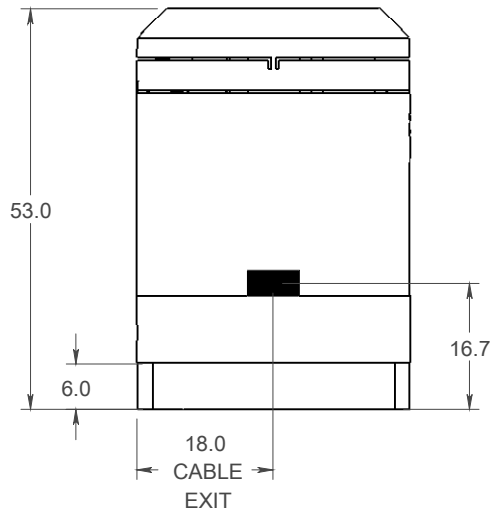
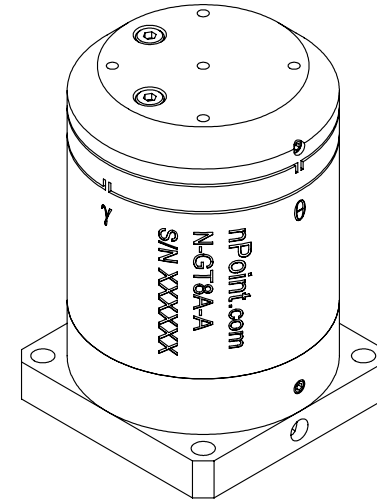
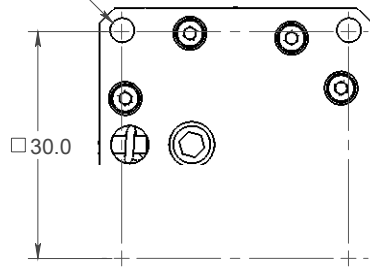


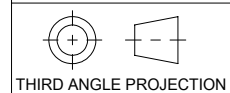
5X M1.6X0.35 - 6H ∇ 3.0
SPECIMEN PLATFORM
HOLES



4X \varnothing 3.2 THRU
MOUNTING
HOLES



UNLESS OTHERWISE
NOTED, ALL UNITS ARE
IN MILLIMETERS



THIRD ANGLE PROJECTION

3030 Laura Ln., #100
Middleton, WI 53562



Phone: (608) 824-1770
Fax: (608) 824-1774
www.npoint.com

DESCRIPTION
RXY9
2-AXIS SCANNER
8 mrad ROTATION

NUMBER
3715122

REV.
A

SHEET 1 OF 1