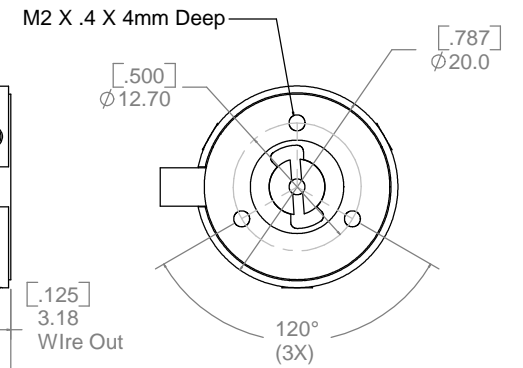
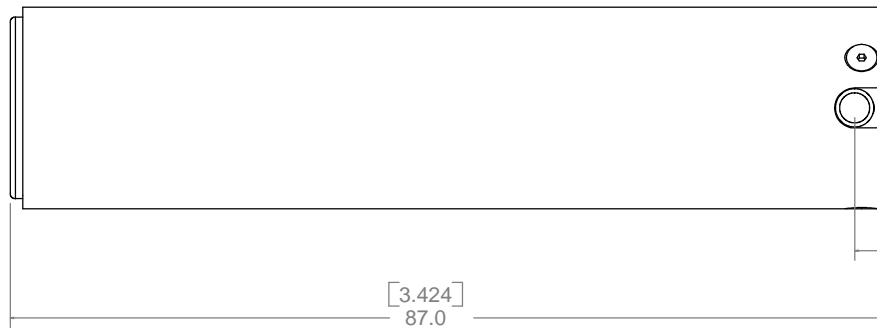
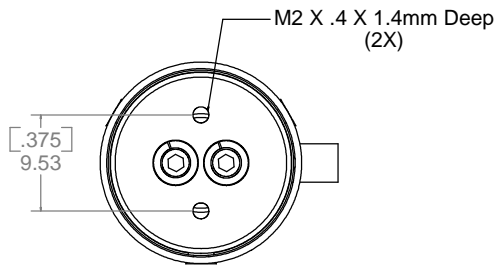
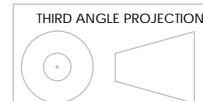


THE INFORMATION CONTAINED IN THIS DRAWING IS THE SOLE PROPERTY OF nPoint
 ANY REPRODUCTION IN PART OR WHOLE WITHOUT WRITTEN PERMISSION IS PROHIBITED.



1617 Sherman Ave.
 Madison, WI 53704

Phone: (608) 310-8770
 Fax: (608) 310-8774



PRODUCT DESCRIPTION

N-Z70A-I 1 Axis Stage

SIZE A	DRAWN BY D.Hauge	CREATION DATE 11.08.01	REV. A
-----------	---------------------	---------------------------	-----------

8

7

6

5

4

3

2

1